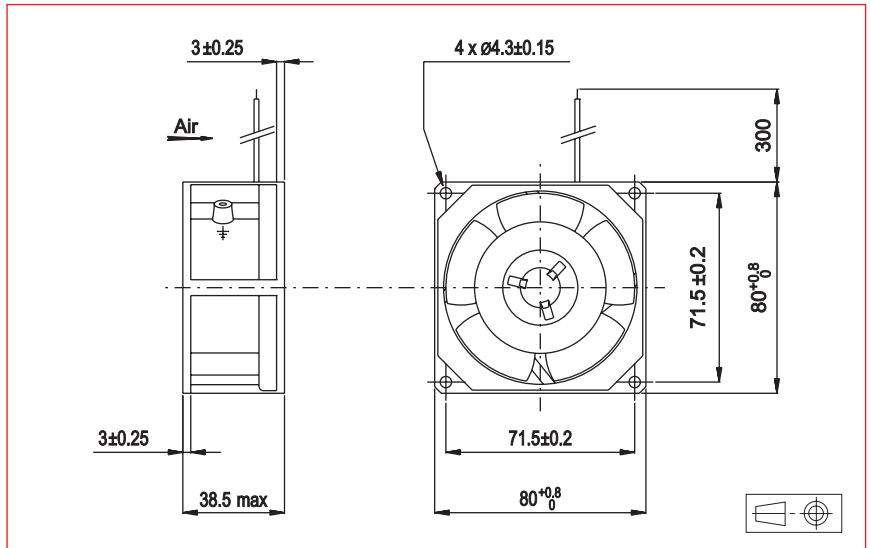


AC Axial Fans



Approvals



Life expectancy

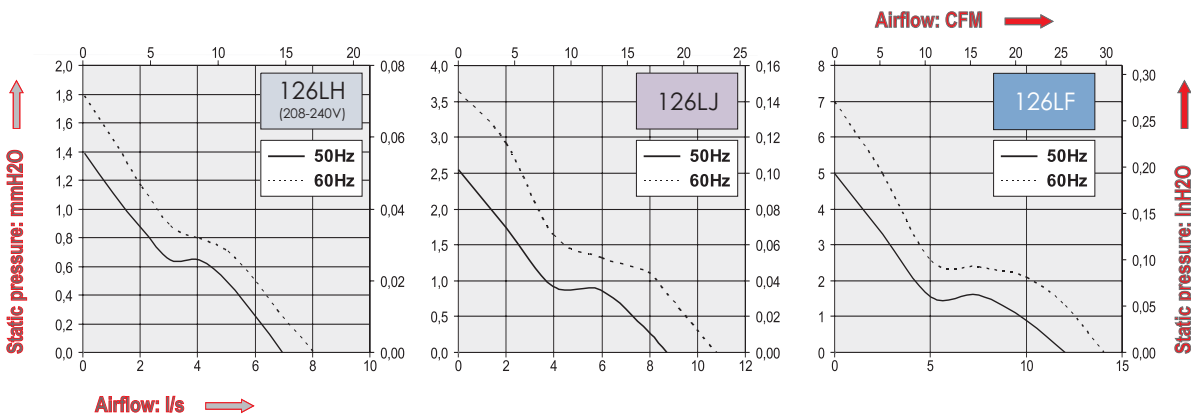
L-10 LIFE AT 40°C:
80 000 hours

AC Motor

Electrical protection: impedance protected
Housing material: zamak
Impeller material: plastic UL 94 V0
Maximum weight: 400 g
Bearing system: ball bearings
Connection: flying leads

Single phase
IP 20

Available with:
- IP 54



Part Number	Nominal voltage	Airflow	Noise level	Nominal speed	Frequency	Input Power	Nominal current	Starting current	Operating temperature	
	V	l/s	dB(A)	RPM	Hz	W	mA	mA	Min.°C	Max.°C
126LH0182001	115	6,0	10	1350	50	5	50	60	-10	70
		7,0	11	1550	60	4	50	60	-10	70
126LH0181001	208-240	6,5	14	1550	50	7	35	40	-10	70
		8,0	18	1850	60	6	30	35	-10	70
126LJ0182001	115	9,0	22	2000	50	7	75	80	-10	70
		11,0	25	2400	60	6	65	70	-10	70
126LJ0181001	208-240	9,0	22	2000	50	8	45	50	-10	70
		11,0	25	2400	60	7	40	45	-10	70
126LF0182001	115	12,5	30	2750	50	10	130	170	-10	70
		15,0	35	3250	60	8	100	140	-10	70
126LF0181001	208-240	12,5	30	2750	50	12	75	90	-10	70
		15,0	35	3550	60	9	60	70	-10	70

Additional versions:

Shock and vibration protected - wide temperature range