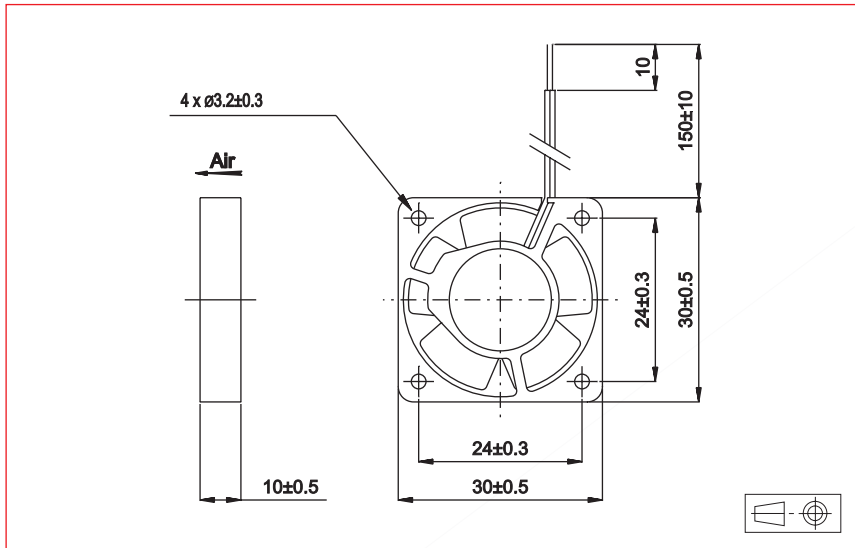


1,18" x 1,18" x 0,393" 30 x 30 x 10 mm

Series
260D

ETRI[®]

DC Axial Fans



Approvals



Life expectancy

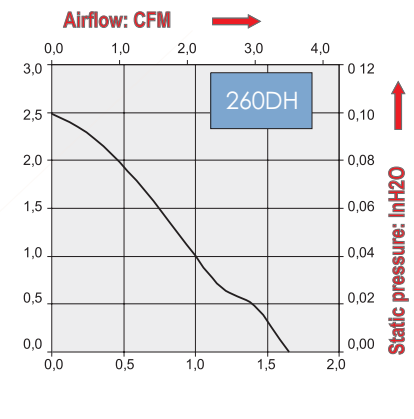
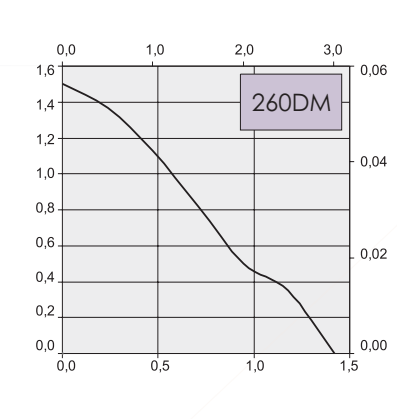
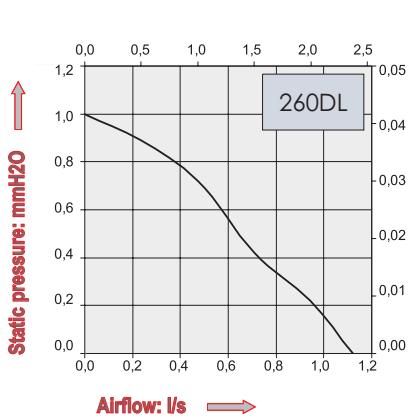
L-10 LIFE AT 40°C:
30 000 hours

Brushless DC Motor

Electrical protection: integrated circuit
Housing material: plastic UL 94 V0
Impeller material: plastic UL 94 V0
Maximum weight: 11 g
Bearing system: ball bearings
Connection: flying leads
IP 20

Available with:

- Speed sensor
- Alarm
- IP 54 / IP 55



| Part Number | Nominal voltage | Airflow | Noise level | Nominal speed | Input Power | Voltage range | Operating temperature | |
|---------------|-----------------|---------|-------------|---------------|-------------|---------------|-----------------------|--------|
| | V | l/s | dB(A) | RPM | | | Min.°C | Max.°C |
| 260DL5LP11000 | 5 | 1,10 | 17,5 | 6000 | 0,4 | (4,5-5,5) | -10 | 70 |
| 260DL1LP11000 | 12 | 1,10 | 17,5 | 6000 | 0,6 | (9,5-13,8) | -10 | 70 |
| 260DM5LP11000 | 5 | 1,40 | 20 | 7500 | 0,6 | (4,5-5,5) | -10 | 70 |
| 260DM1LP11000 | 12 | 1,40 | 20 | 7500 | 0,8 | (9,5-13,8) | -10 | 70 |
| 260DH5LP11000 | 5 | 1,70 | 25 | 9000 | 0,8 | (4,5-5,5) | -10 | 70 |
| 260DH1LP11000 | 12 | 1,70 | 25 | 9000 | 1,1 | (9,5-13,8) | -10 | 70 |
| | | | | | | | | |
| | | | | | | | | |
| | | | | | | | | |
| | | | | | | | | |
| | | | | | | | | |
| | | | | | | | | |