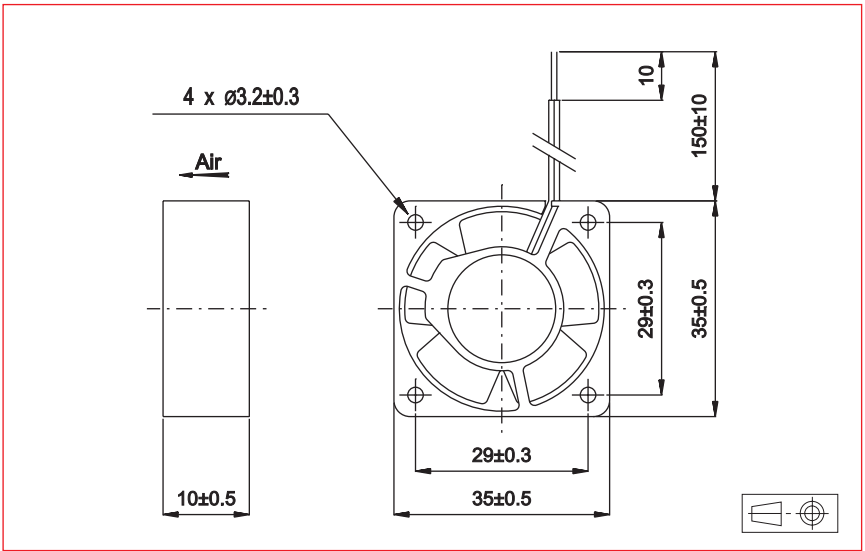


DC Axial Fans



Approvals



Life expectancy

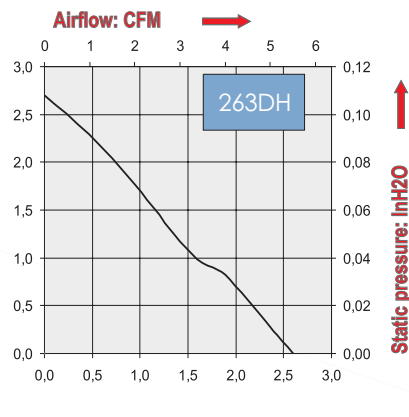
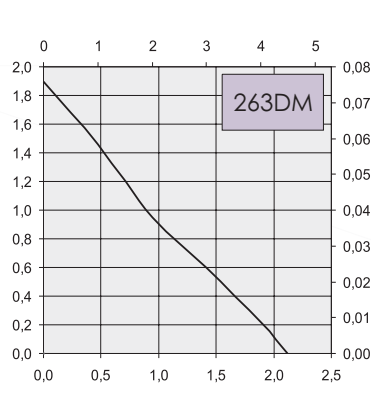
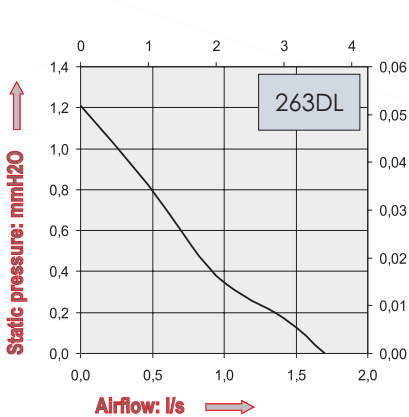
L-10 LIFE AT 40°C:
30 000 hours

Brushless DC Motor

Electrical protection: integrated circuit
Housing material: plastic UL 94 V0
Impeller material: plastic UL 94 V0
Maximum weight: 10 g
Bearing system: ball bearings
Connection: flying leads
IP 20

Available with:

- Speed sensor
- Alarm
- IP 54 / IP 55



Part Number	Nominal voltage	Airflow	Noise level	Nominal speed	Input Power	Voltage range	Operating temperature	
	V	l/s	dB(A)	RPM	W	V	Min.°C	Max.°C
263DL5LP11000	5	1,7	15	4500	0,3	(4,5-5,5)	-10	70
263DL1LP11000	12	1,7	15	4500	0,5	(9,5-13,8)	-10	70
263DM5LP11000	5	2,1	18	5800	0,5	(4,5-5,5)	-10	70
263DM1LP11000	12	2,1	18	5800	0,6	(9,5-13,8)	-10	70
263DH5LP11000	5	2,6	22	7000	0,7	(4,5-5,5)	-10	70
263DH1LP11000	12	2,6	22	7000	1,1	(9,5-13,8)	-10	70