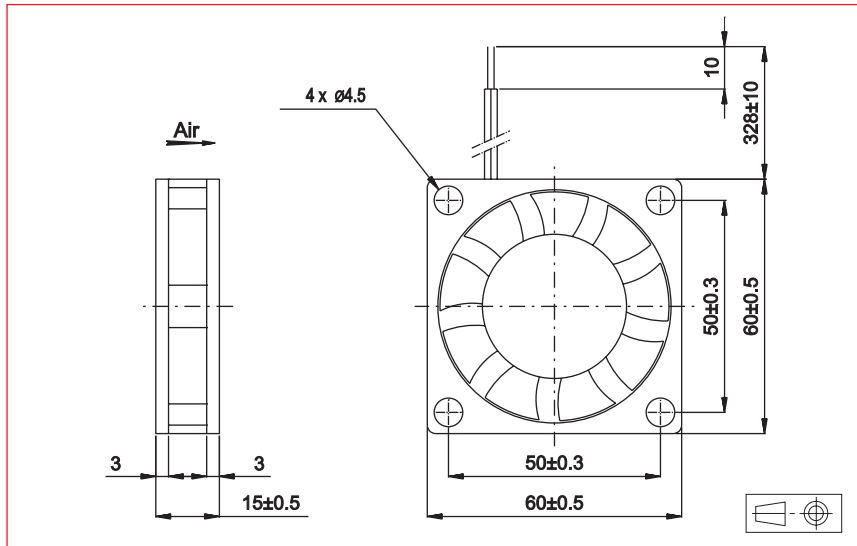


2,362" x 2,362" x 0,59" 60 x 60 x 15 mm

Series
282D

ETRI[®]

DC Axial Fans



Approvals



Life expectancy

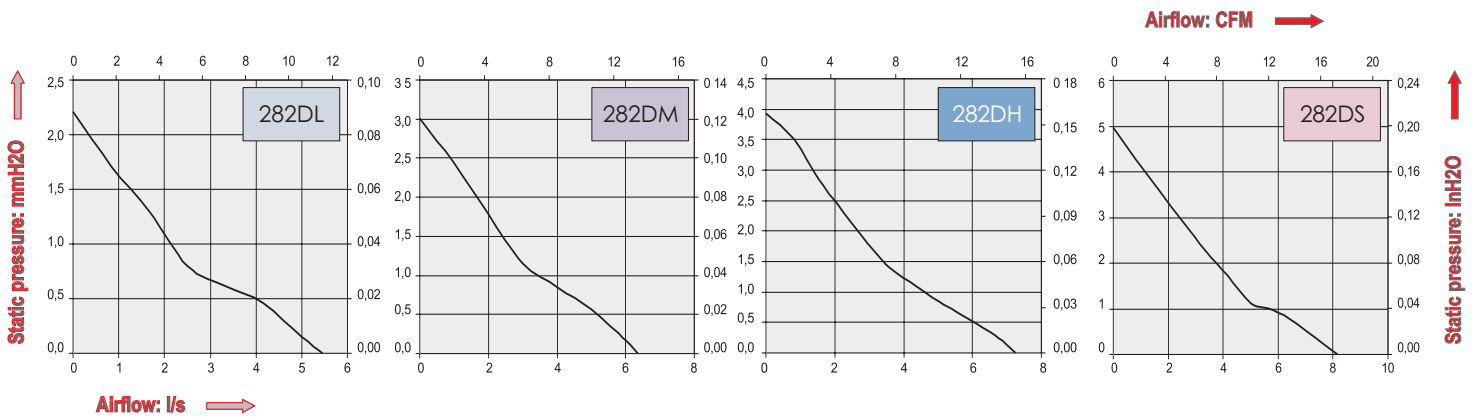
L-10 LIFE AT 40°C:
70 000 hours

Brushless DC Motor

Electrical protection: integrated circuit
Housing material: plastic UL 94 V0
Impeller material: plastic UL 94 V0
Maximum weight: 44g
Bearing system: ball bearings
Connection: flying leads
IP 20

Available with:

- Speed sensor
- Alarm (except for 5V)
- IP 54 / IP 55



Part Number	Nominal voltage	Airflow	Noise level	Nominal speed	Input Power	Voltage range	Operating temperature	
	V	l/s	dB(A)	RPM	W	V	Min.°C	Max.°C
282DL1LP11000	12	5,5	24	3000	0,8	(7-13,8)	-10	70
282DL2LP11000	24	5,5	24	3000	1,0	(14-27,6)	-10	70
282DM1LP11000	12	6,4	29	3500	1,0	(7-13,8)	-10	70
282DM2LP11000	24	6,4	29	3500	1,2	(14-27,6)	-10	70
282DH1LP11000	12	7,3	32	4000	1,2	(7-13,8)	-10	70
282DH2LP11000	24	7,3	32	4000	1,9	(14-27,6)	-10	70
282DS1LP11000	12	8,2	35	4500	1,4	(7-13,8)	-10	70
282DS2LP11000	24	8,2	35	4500	2,4	(14-27,6)	-10	70

Additional versions:

5V