

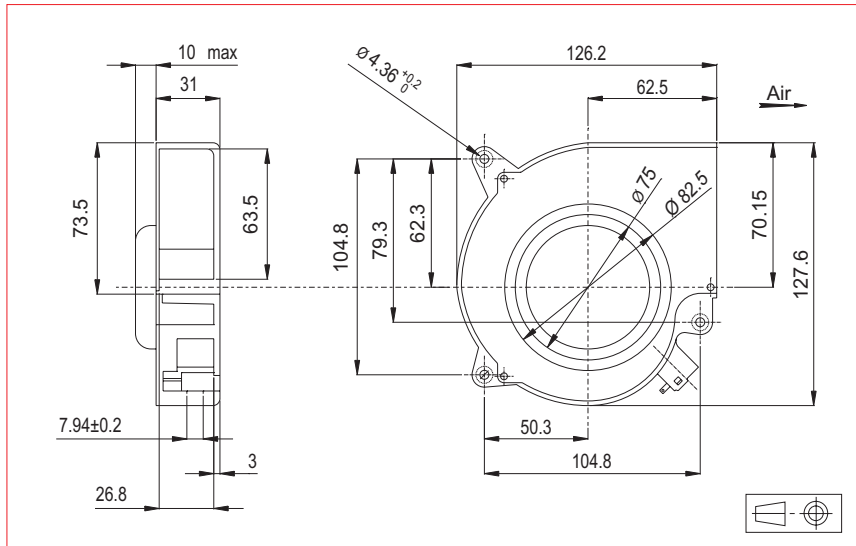
4,96" x 5,02" x 1,61"

126,2 x 127,6 x 41 mm

583CBA

**ETRI**<sup>®</sup>

AC Centrifugal Blowers



Approvals



Life expectancy

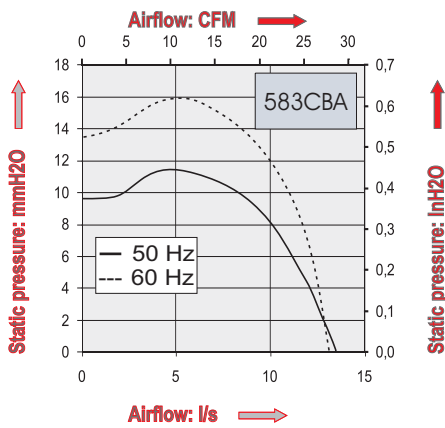
L-10 LIFE AT 40°C:  
25 000 hours

**AC Motor**

Electrical protection: impedance protected  
Housing material: zamak  
Impeller material: plastic UL 94 VO  
Weight: 800 g  
Bearing system: ball bearings  
Connection: terminals  
IP 20

Single phase

Available with:  
- Flying leads



Part Number	Nominal voltage	Airflow	Noise level	Nominal speed	Frequency	Input Power	Nominal current	Starting current	Operating temperature	
	V	l/s	dB(A)	RPM	Hz	W	mA	mA	Min.°C	Max.°C
583CBA0092000	115	13,5	49	2550	50	21	270	400	-10	55
		13,2	51	2500	60	20	250	350	-10	55
583CBA0091000	220	13,5	49	2550	50	21	140	210	-10	55
		13,2	51	2500	60	20	130	185	-10	55

