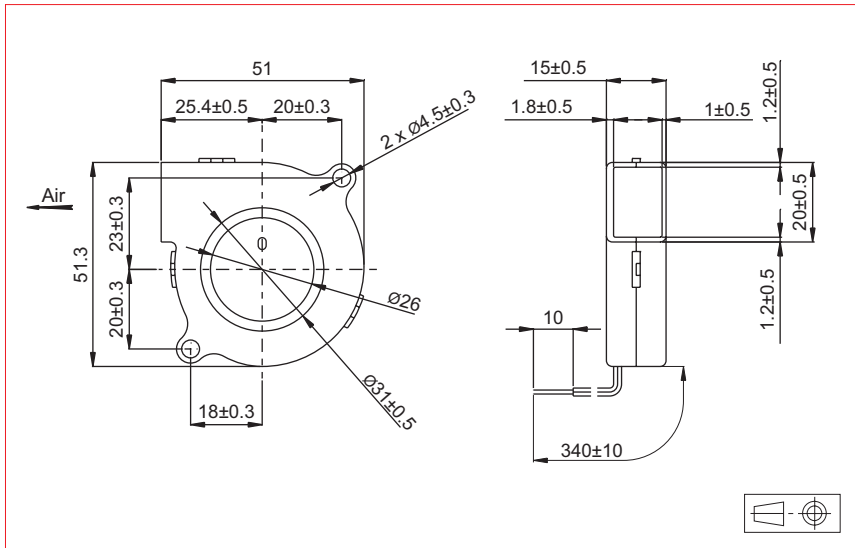


2,007" x 2,019" x 0,59" 51 x 51,3 x 15 mm

Series 593D

ETRI®

DC Centrifugal Blowers



Approvals



Life expectancy

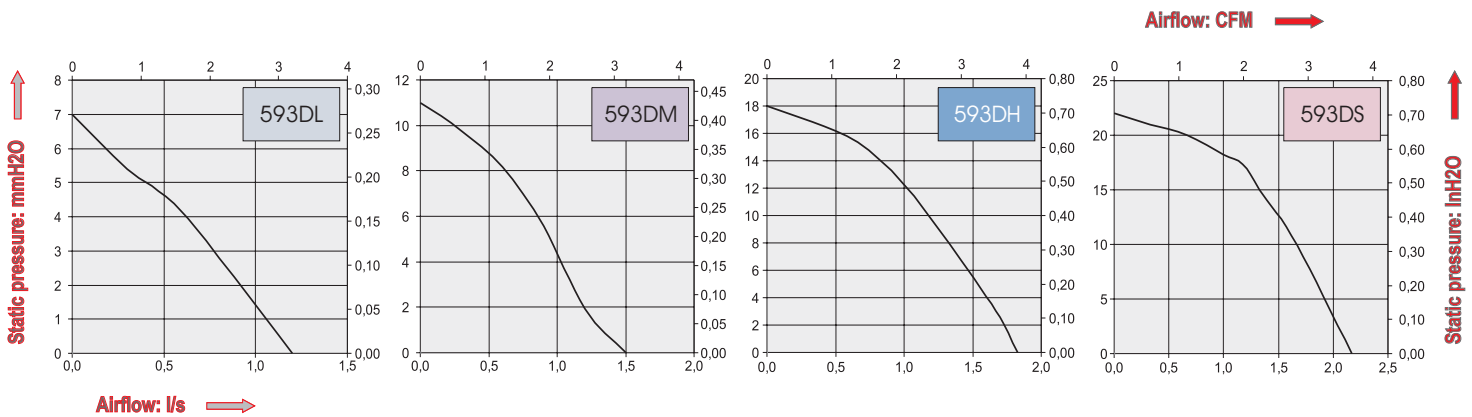
L-10 LIFE AT 40°C:
25 000 hours

Brushless DC Motor

Electrical protection: integrated circuit
Housing material: plastic UL 94 V0
Impeller material: plastic UL 94 V0
Maximum weight: 28 g
Bearing system: ball bearings
Connection: flying leads
IP 20

Available with:

- Speed sensor
- Alarm



Part Number	Nominal voltage	Airflow	Noise level	Nominal speed	Input Power	Voltage range	Operating temperature	
	V	l/s	dB(A)	RPM	W	V	Min.°C	Max.°C
593DL5LP11000	5	1,2	26,5	3500	0,7	(4-5,5)	-10	70
593DL1LP11000	12	1,2	26,5	3500	0,8	(10-13,8)	-10	70
593DL2LP11000	24	1,2	26,5	3500	1,2	(14-27,6)	-10	70
593DM5LP11000	5	1,5	32,5	4500	1,7	(4-5,5)	-10	70
593DM1LP11000	12	1,5	32,5	4500	1,2	(10-13,8)	-10	70
593DM2LP11000	24	1,5	32,5	4500	1,7	(14-27,6)	-10	70
593DH1LP11000	12	1,8	38	5500	1,9	(10-13,8)	-10	70
593DH2LP11000	24	1,8	38	5500	2,2	(14-27,6)	-10	70
593DS1LP11000	12	2,2	45	6500	2,5	(10-13,8)	-10	70
593DS2LP11000	24	2,2	45	6500	2,6	(14-27,6)	-10	70