

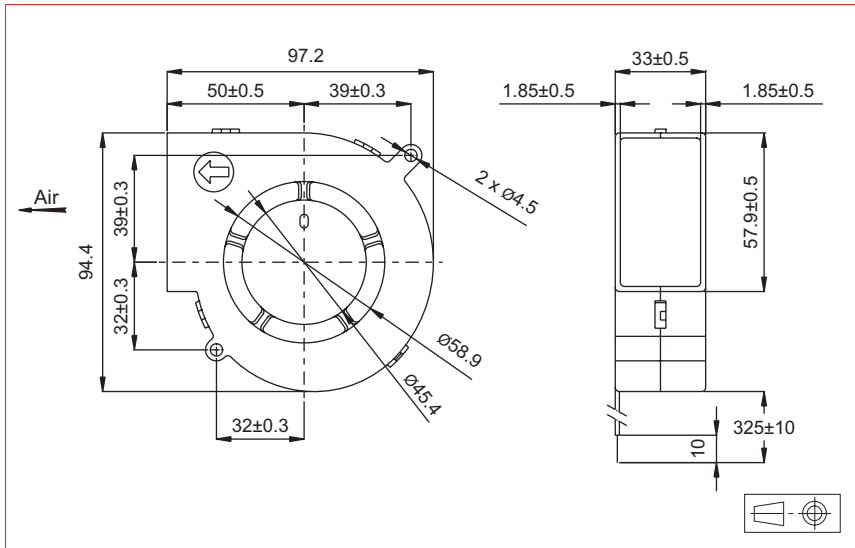
3,83" x 3,71" x 1.3"

97,2 x 94,4 x 33 mm

Series
595D

ETRI[®]

DC Centrifugal Blowers



Approvals



Life expectancy

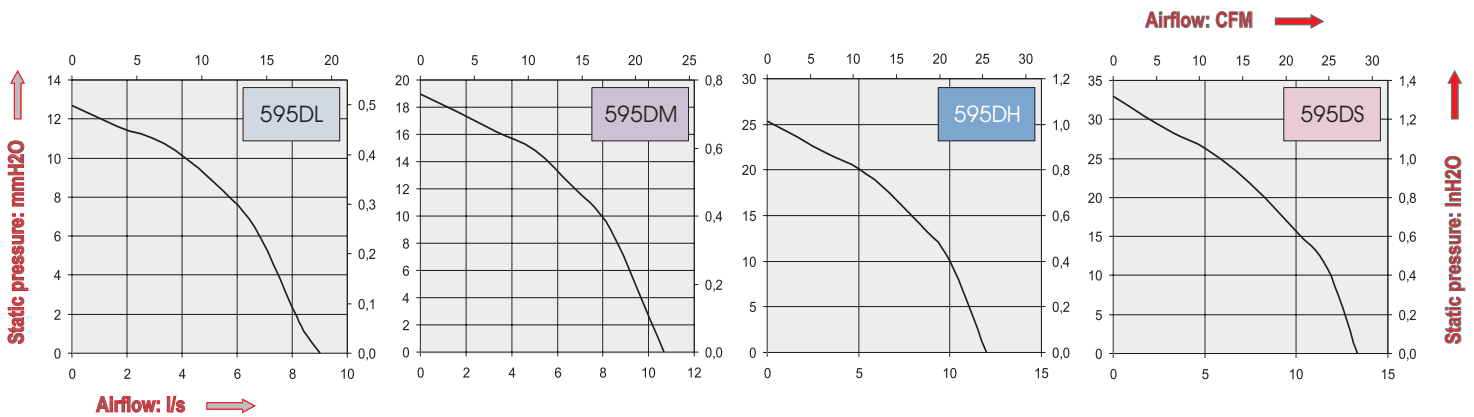
L-10 LIFE AT 40°C:
25 000 hours

Brushless DC Motor

Electrical protection: integrated circuit
Housing material: plastic UL 94 V0
Impeller material: plastic UL 94 V0
Maximum weight: 160 g
Bearing system: ball bearings
Connection: flying leads
IP 20

Available with:

- Speed sensor
- Alarm
- IP 54 / IP 55



Part Number	Nominal voltage	Airflow	Noise level	Nominal speed	Input Power	Voltage range	Operating temperature	
	V	l/s	dB(A)	RPM	W	V	Min.°C	Max.°C
595DL1LP11000	12	9,0	45	2700	3,8	(4-13,8)	-10	60
595DL2LP11000	24	9,0	45	2700	3,8	(7-27,6)	-10	60
595DM1LP11000	12	10,7	49	3200	6,8	(4-13,8)	-10	60
595DM2LP11000	24	10,7	49	3200	6,2	(7-27,6)	-10	60
595DH1LP11000	12	12,0	52	3600	9,6	(4-13,8)	-10	60
595DH2LP11000	24	12,0	52	3600	9,6	(7-27,6)	-10	60
595DS1LP11000	12	13,3	55	4000	13,2	(4-13,8)	-10	60
595DS2LP11000	24	13,3	55	4000	13,2	(7-27,6)	-10	60