

400Hz Fans

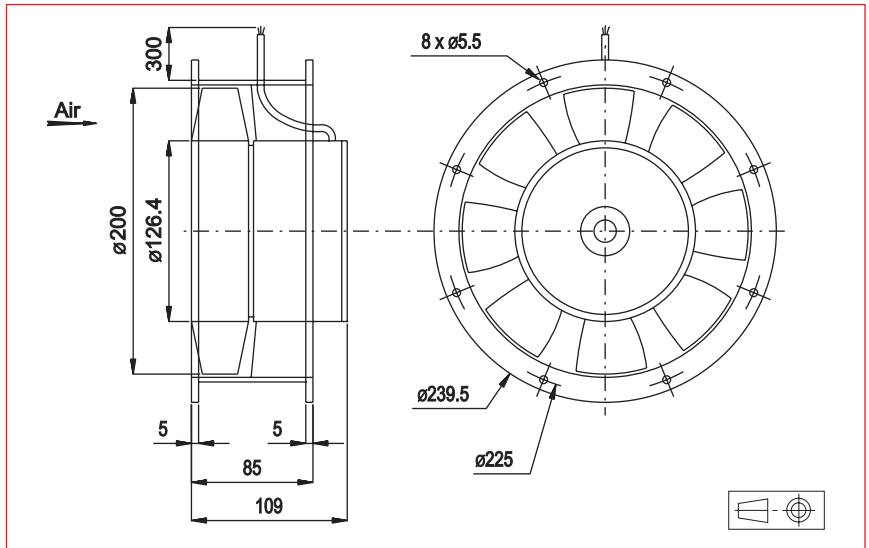


Approvals

NATO codification (not on all part numbers, please consult the factory for more detailed information)

Life expectancy

L-10 LIFE AT 40°C:
25 000 hours



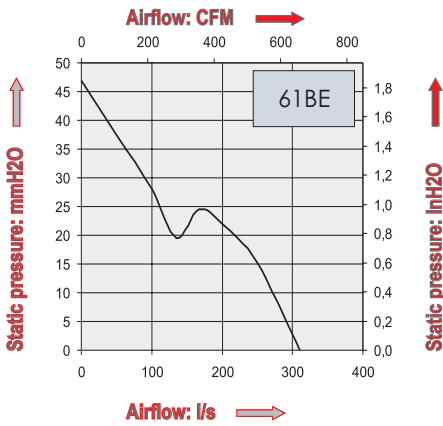
400 Hz Motor

Housing material: aluminium
Impeller material: aluminium
Weight: 4,7 kg
Bearing system: ball bearings

Connection: flying leads

Available with:

- Safety switch



Part Number	Nominal voltage	Airflow		Noise level	Nominal speed	Phases	Capacitor <small>(not included)</small>	Input power	Nominal Current	Starting Current	Operating temperature	
	V	l/s	Cfm	dB(A)	RPM		µF	W	mA	mA	Min.°C	Max.°C
61BE0162C13	115	310	656,9	68	3500	3		126	1800	3650	-10	70
	115	310	656,9	68	3500	1	5,7	134	1450	2800	-10	70
61BE0160C13	200	310	656,9	68	3500	3		126	1030	2100	-10	70
	200	310	656,9	68	3500	1	2	134	840	1600	-10	70

Additional versions:
Salt spray protected - Shock and vibration protected - Marine specifications
Wide temperature range