

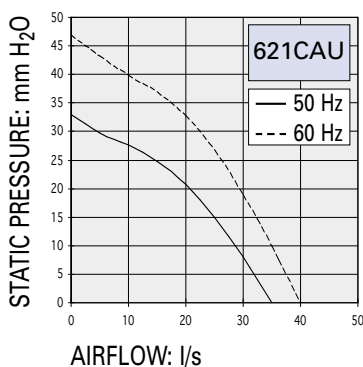


Approvals

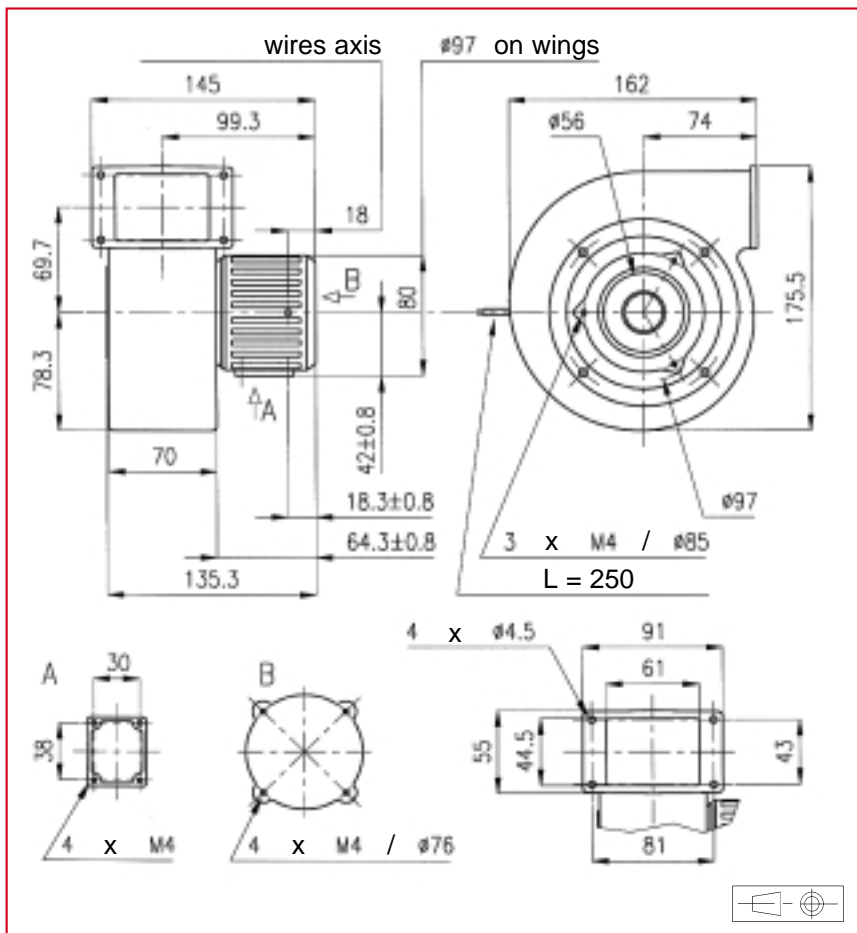
GAM T1 LISTED

Life expectancy

L-10 LIFE AT 40°C:
25 000 hours



162 x 175,5 x 145 mm



AC Motor

Housing material: aluminium
Wheel material: plastic UL 94 VO
Weight: 2,3 kg
Bearing system: ball bearings

Connection: flying leads

Available with:

- safety switch

Part number	Nominal voltage	Airflow	Noise level	Nominal speed	Frequency	Phases	Capacitor <i>(not included)</i>	Input power	Nominal current	Starting current	Operating temperature	
	V	l/s	dB(A)	RPM	Hz		µF	W	mA	mA	Min. °C	Max. °C
621CAU016DC13	220	35	57	2800	50	3		25	120	360	- 10	70
	380	35	57	2800	50	3		25	70	210	- 10	70
	220	40	61	3200	60	3		30	110	330	- 10	70
	380	40	61	3200	60	3		30	65	190	- 10	70
	220	35	57	2800	50	1	1,47	24	130	305	- 10	70
	380	35	57	2800	50	1	0,47	24	75	180	- 10	70
	220	40	61	3200	60	1	1,47	31	145	290	- 10	70
	380	40	61	3200	60	1	0,47	31	85	170	- 10	70

Additional versions:

Salt spray protected - shock and vibration protected - marine specifications - wide temperature range

Accessories:

See pages: 157, 160 and 163