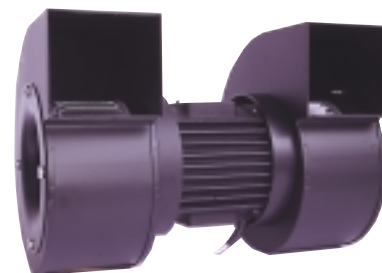
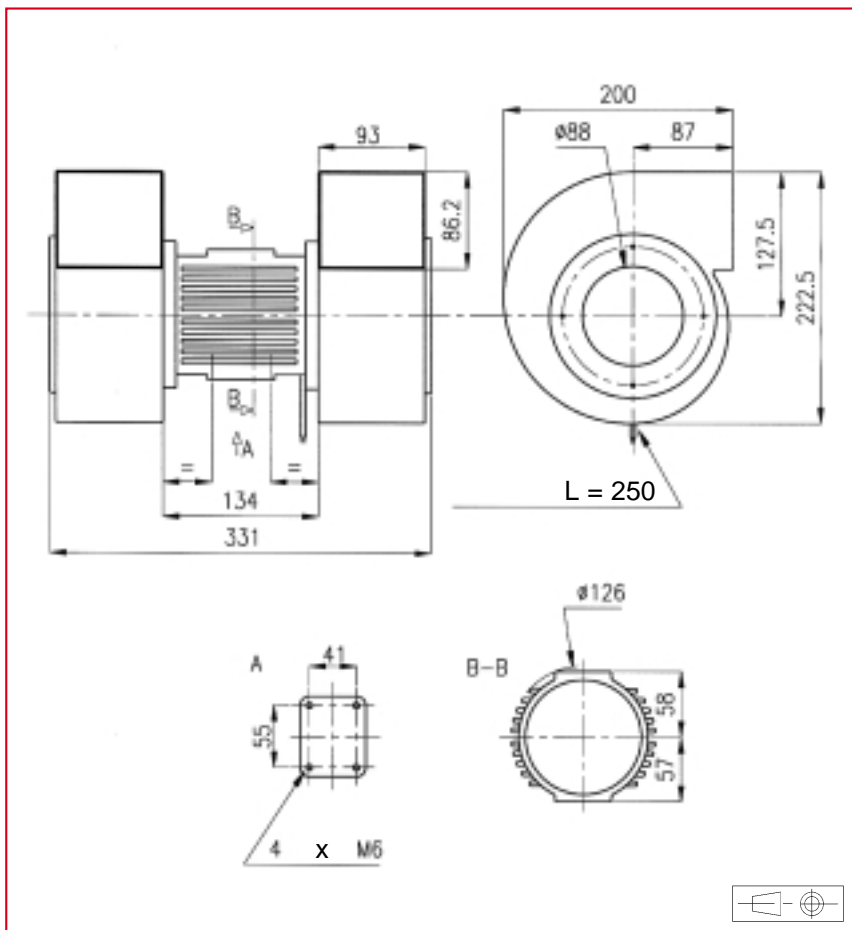


# 200 x 222,5 x 331 mm

# ETRI®

AC Centrifugal Blowers

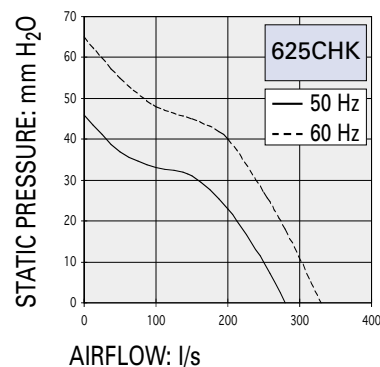


### Approvals

GAM T1 LISTED

### Life expectancy

L-10 LIFE AT 40°C:  
25 000 hours



### AC Motor

Housing material: steel plate  
Wheel material: steel plate  
Weight: 7,5 kg  
Bearing system: ball bearings

Connection: flying leads

Part number	Nominal voltage	Airflow	Noise level	Nominal speed	Frequency	Phases	Capacitor (not included)	Input power	Nominal current	Starting current	Operating temperature	
	V	l/s	dB(A)	RPM	Hz						Min. °C	Max. °C
625CHK216DC13	220	280	67	2850	50	3		250	1300	6300	- 10	70
	380	280	67	2850	50	3		250	750	3650	- 10	70
	220	320	71	3300	60	3		350	1300	5850	- 10	70
	380	320	71	3300	60	3		350	750	3400	- 10	70
	220	280	67	2850	50	1	14,7	245	1400	5400	- 10	70
	380	280	67	2850	50	1	5	245	800	3150	- 10	70
	220	320	71	3300	60	1	14,7	355	1700	4950	- 10	70
	380	320	71	3300	60	1	5	355	1150	2900	- 10	70

### Additional versions:

Salt spray protected - shock and vibration protected - marine specifications - wide temperature range

### Accessories:

See pages: 157, 160 and 163