

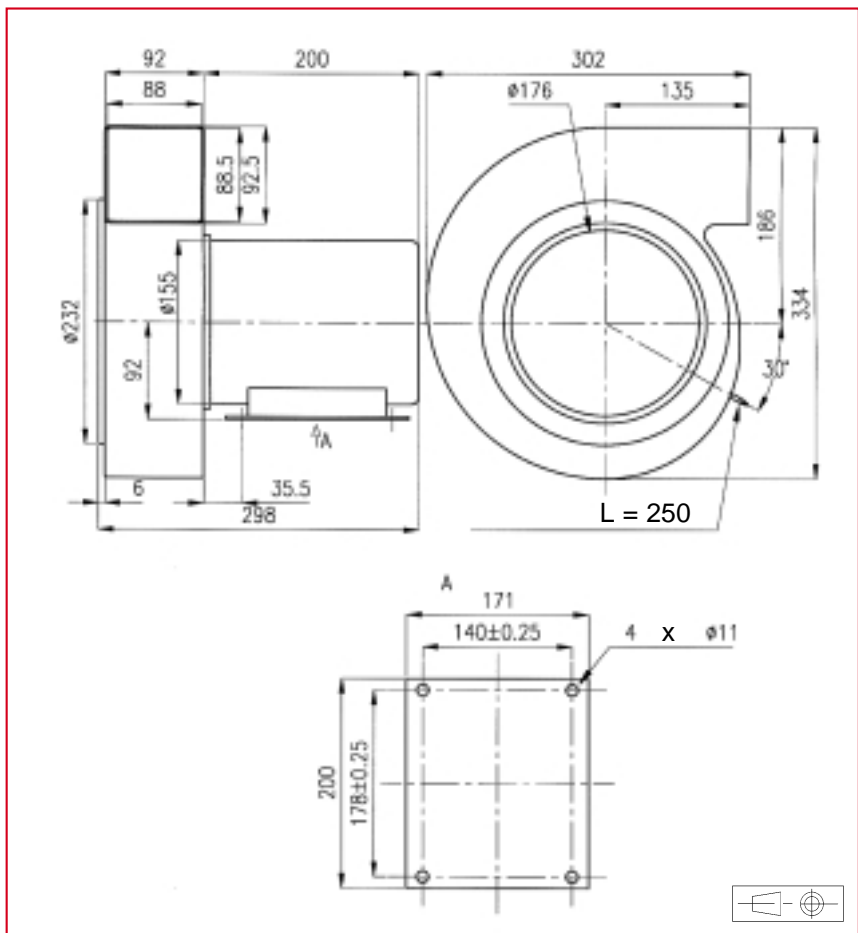
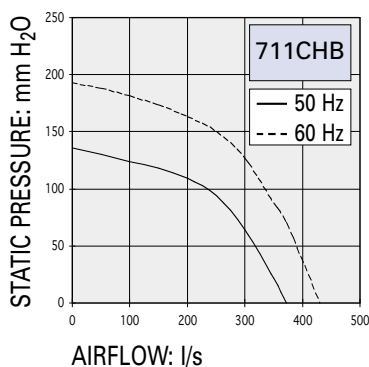


Approvals

GAM T1 LISTED

Life expectancy

L-10 LIFE AT 40°C:
25 000 hours



AC Motor

Housing material: aluminium
Wheel material: aluminium
Weight: 19 kg
Bearing system: ball bearings

Connection: flying leads

Available with:

- safety switch

Part number	Nominal voltage	Airflow	Noise level	Nominal speed	Frequency	Phases	Capacitor	Input power	Nominal current	Starting current	Operating temperature	
	V	l/s	dB(A)	RPM	Hz		μF	W	mA	mA	Min. °C	Max. °C
711CHB016DC13	220	370	79	2850	50	3		1000	3000	17000	- 10	70
	380	370	79	2850	50	3		1000	1750	10000	- 10	70
	220	420	82	3200	60	3		1550	4300	16000	- 10	70
	380	420	82	3200	60	3		1550	2500	9500	- 10	70

Additional versions:

Other voltage - salt spray protected - shock and vibration protected - marine specifications - wide temperature range