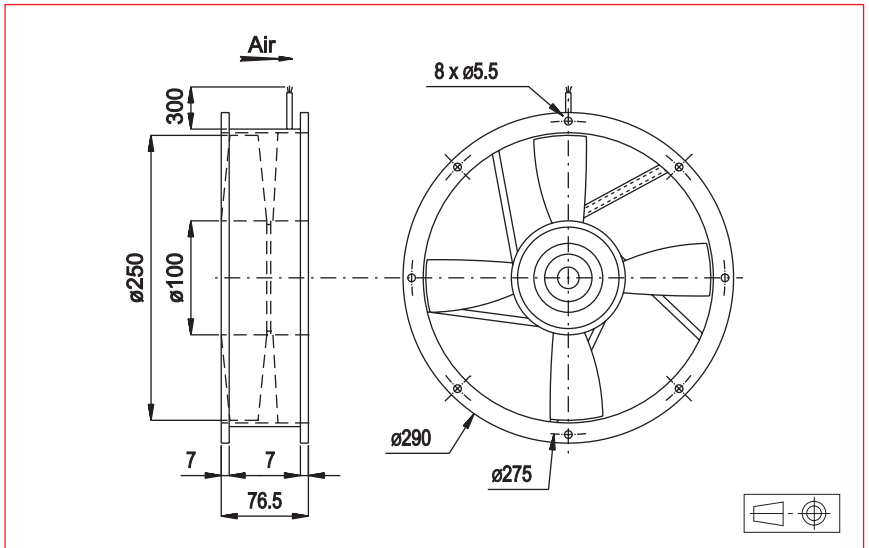


#### AC High Performance Fans



#### Approvals

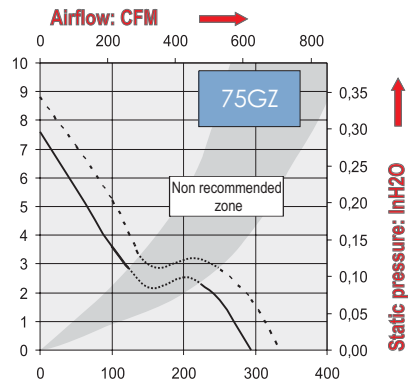
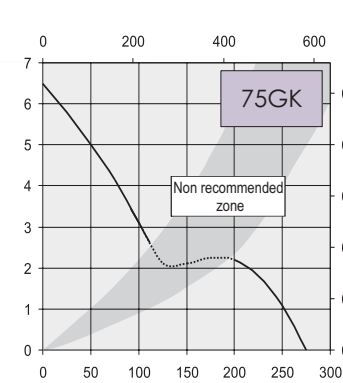
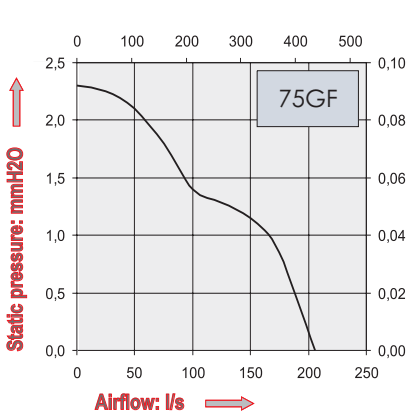
CE, NATO codification

#### Life expectancy

L-10 LIFE AT 40°C:  
25 000 hours

#### AC Motor

Housing material: aluminium  
Impeller material: plastic  
Weight: 2,9 kg  
Bearing system: ball bearings



| Part Number | Nominal voltage | Airflow | Noise level | Nominal speed | Frequency | Phases | Capacitor (not included) | Input power | Nominal Current | Starting Current | Connection type |           | Operating temperature |        |
|-------------|-----------------|---------|-------------|---------------|-----------|--------|--------------------------|-------------|-----------------|------------------|-----------------|-----------|-----------------------|--------|
|             | V               | l/s     | dB(A)       | RPM           | Hz        |        | µF                       | W           | mA              | mA               | Leads           | Terminals | Min.°C                | Max.°C |
| 75GF026AC11 | 110             | 206     | 45          | 1000          | 50        | 1      |                          | 28          | 370             | 470              | X               |           | -10                   | 55     |
|             | 220             | 206     | 45          | 1000          | 50        | 1      |                          | 28          | 185             | 235              | X               |           | -10                   | 55     |
| 75GK026AC11 | 110             | 275     | 54          | 1350          | 50        | 1      |                          | 41          | 610             | 1150             | X               |           | -10                   | 55     |
|             | 220             | 275     | 54          | 1350          | 50        | 1      |                          | 41          | 305             | 575              | X               |           | -10                   | 55     |
| 75GZ026DC13 | 220             | 290     | 55          | 1400          | 50        | 3      |                          | 38          | 155             | 385              | X               |           | -10                   | 70     |
|             | 380             | 290     | 55          | 1400          | 50        | 3      |                          | 38          | 90              | 225              | X               |           | -10                   | 70     |
|             | 220             | 330     | 58          | 1600          | 60        | 3      |                          | 40          | 145             | 355              | X               |           | -10                   | 70     |
|             | 380             | 330     | 58          | 1600          | 60        | 3      |                          | 40          | 85              | 210              | X               |           | -10                   | 70     |
|             | 220             | 290     | 55          | 1400          | 50        | 1      | 2,2                      | 34          | 165             | 330              | X               |           | -10                   | 70     |
|             | 380             | 290     | 55          | 1400          | 50        | 1      | 0,69                     | 34          | 100             | 200              | X               |           | -10                   | 70     |
|             | 220             | 320     | 58          | 1600          | 60        | 1      | 2,2                      | 42          | 210             | 320              | X               |           | -10                   | 70     |
|             | 380             | 320     | 58          | 1600          | 60        | 1      | 0,69                     | 42          | 125             | 190              | X               |           | -10                   | 70     |

#### Additional versions:

Salt spray protected - Shock and vibration protected - Marine specifications  
Wide temperature range - Other voltages (consult factory)

#### Accessories:

Refer to Accessories leaflet