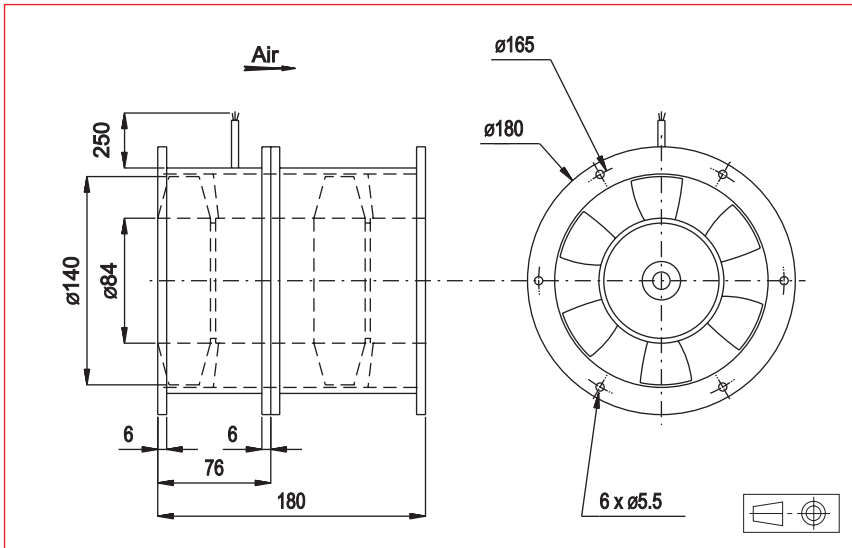


**Ø 7,086" x 7,086"    Ø 180 x 180 mm**

**86CD**

**ETRI®**

AC High Performance Fans



**Approvals**

CE, NATO codification

**Life expectancy**

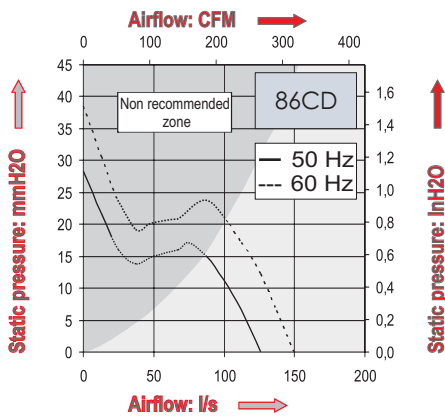
L-10 LIFE AT 40°C:  
25 000 hours

**AC Motor**

Housing material: aluminium  
Impeller material: plastic  
Weight: 4 kg  
Bearing system: ball bearings

**Available with:**

- Safety switch  
- Aluminium impeller



Part Number	Nominal voltage	Airflow	Noise level	Nominal speed	Frequency	Phases	Capacitor (not included)	Input power	Nominal Current	Starting Current	Connection type		Operating temperature	
	V	l/s	dB(A)	RPM	Hz		µF	W	mA	mA	Leads	Terminals	Min.°C	Max.°C
86CD116DC13	220	126	63	2850	50	3		54	275	880	X		-10	70
	380	126	63	2850	50	3		54	155	510	X		-10	70
	220	148	66	3250	60	3		71	260	840	X		-10	70
	380	148	66	3250	60	3		71	150	485	X		-10	70
	220	126	63	2850	50	1	3,2	54	290	790	X		-10	70
	380	126	63	2850	50	1	1	54	165	460	X		-10	70
	220	144	66	3250	60	1	3,2	71	340	760	X		-10	70
	380	144	66	3250	60	1	1	71	195	440	X		-10	70

**Additional versions:**

Salt spray protected - Shock and vibration protected - Marine specifications  
Wide temperature range - Other voltages (consult factory)

**Accessories:**

Refer to Accessories leaflet