

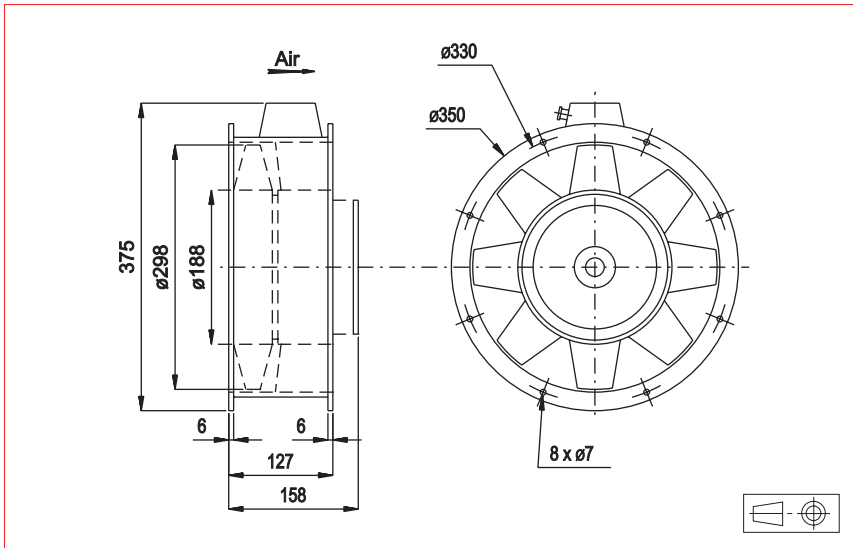
Ø 13,78" x 6,22"

Ø 350 x 158 mm

97AC
97CH

ETRI®

AC High Performance Fans



Approvals

CE, NATO codification

Life expectancy

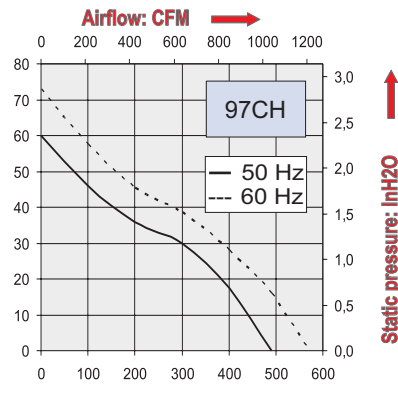
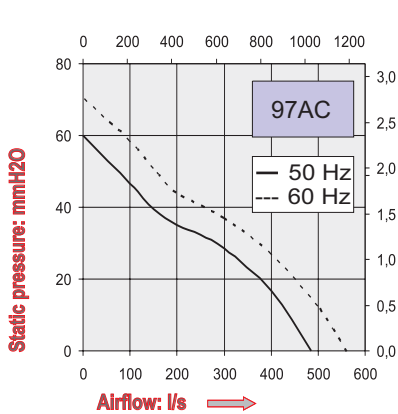
L-10 LIFE AT 40°C:
25 000 hours

AC Motor

Housing material: aluminium
Impeller material: aluminium
Weight: 11 kg
Bearing system: ball bearings

Available with:

- Safety switch



Part Number	Nominal voltage	Airflow	Noise level	Nominal speed	Frequency	Phases	Capacitor (not included)	Input power	Nominal Current	Starting Current	Connection type		Operating temperature	
	V	l/s	dB(A)	RPM	Hz		µF	W	mA	mA	Leads	Terminals	Min.°C	Max.°C
97AC0161C13	127	485	73	2850	50	1	20	165	1300	5200	X	X	-10	70
	220	485	73	2700	50	1	6,9	220	740	3600	X	X	-10	70
	127	560	76	3250	60	1	20	400	1700	5700	X	X	-10	70
	220	550	76	3250	60	1	6,9	400	1050	3300	X	X	-10	70
97CH016DC13	220	490	73	2850	50	3		136	490	3300	X	X	-10	70
	380	490	73	2850	50	3		136	280	1900	X	X	-10	70
	220	570	76	3300	60	3		198	600	2800	X	X	-10	70
	380	570	76	3300	60	3		198	350	1500	X	X	-10	70

Additional versions:

Salt spray protected - Shock and vibration protected - Marine specifications
Wide temperature range - Other voltages (consult factory)

Accessories:

Refer to Accessories leaflet