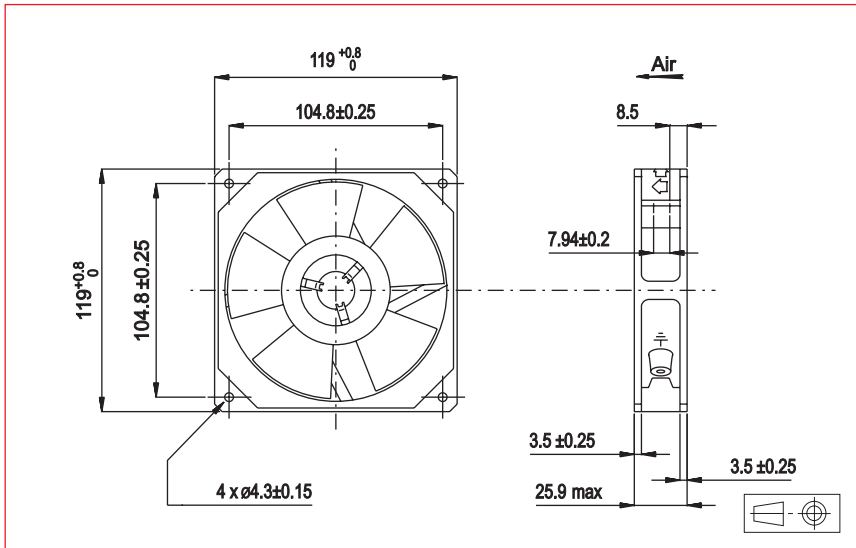


4,724" x 4,724" x 0,984" 120 x 120 x 25 mm

Series 98X
C, Y, H
speeds

ETRI
AC Axial Fans



Approvals



Life expectancy

L-10 LIFE AT 40°C:
80 000 hours

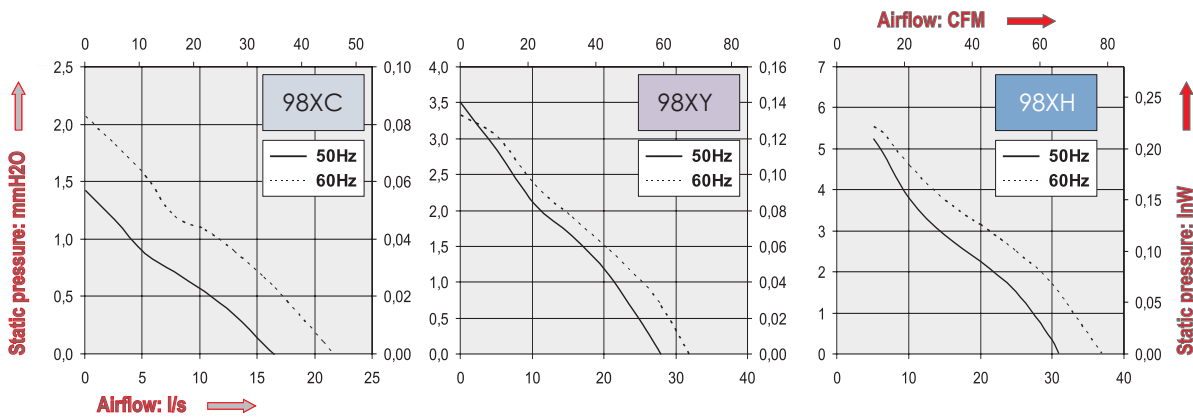
AC Motor

Electrical protection: impedance protected
Housing material: zamak
Impeller material: plastic UL 94 V0
Maximum weight: 465 g
Bearing system: ball bearings
Connection: terminals

Single phase
IP20

Available with:

- Speed sensor
- IP 54
- Flying leads



Part Number	Nominal voltage	Airflow	Noise level	Nominal speed	Frequency	Input Power	Nominal current	Starting current	Operating temperature	
	V								l/s	dB(A)
98XC0182001	115	16	32	1300	50	12	130	150	-10	70
		21	35	1700	60	10	110	130	-10	70
98XC0181001	208-240	16	32	1300	50	14	80	90	-10	70
		21	35	1700	60	12	70	75	-10	70
98XY0182001	115	27	36	2100	50	10	120	140	-10	70
		31	38	2400	60	9	100	120	-10	70
98XY0181001	208-240	27	36	2100	50	12	65	80	-10	70
		31	38	2400	60	10	65	80	-10	70
98XH0182001	115	31	41	2555	50	13	135	200	-10	70
		37	44	3000	60	11	110	180	-10	70
98XH0181001	208-240	31	41	2550	50	15	80	100	-10	70
		37	44	3000	60	13	65	90	-10	70

Additional versions:

Salt spray protected - shock and vibration protected -
marine specifications - wide temperature range