



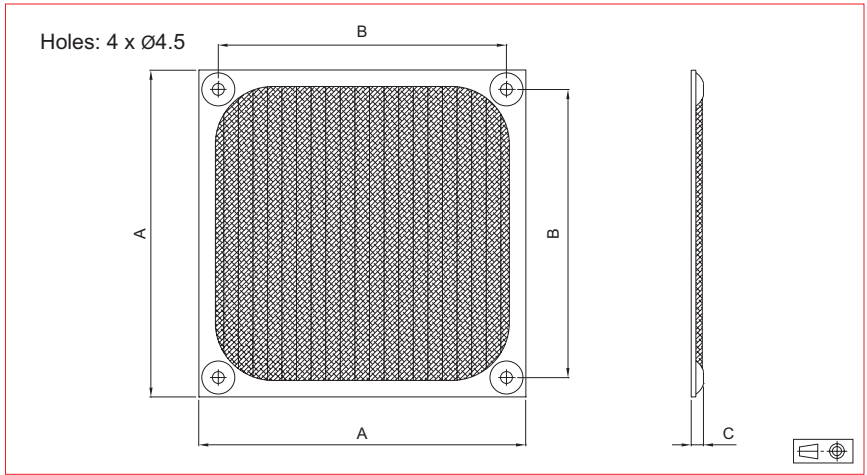
**Benefits:**

- High efficiency in filtering
- Smart finish allowing an easily accomodation to the equipment design
- Gives effective EMI/RFI protection

**Material:**

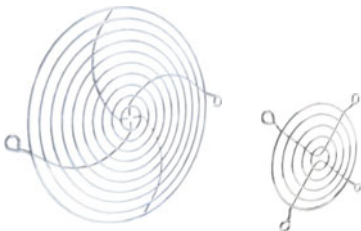
Aluminium

## METAL MESH FILTERS



Part number	Fans dimensions	Dimensions (mm)		
		A (±1)	B (±1)	C (±0,5)
FLTR EMI 60-G Arg	60 x 60	63	50	4,3
FLTR EMI 80-G Arg	80 x 80	83,8	71,4	4,45
FLTR EMI 90-G Arg	92 x 92	92	82,4	4,45
FLTR EMI 120-G Arg	120 x 120	119,9	104,8	4,45

## METAL FINGER GUARDS

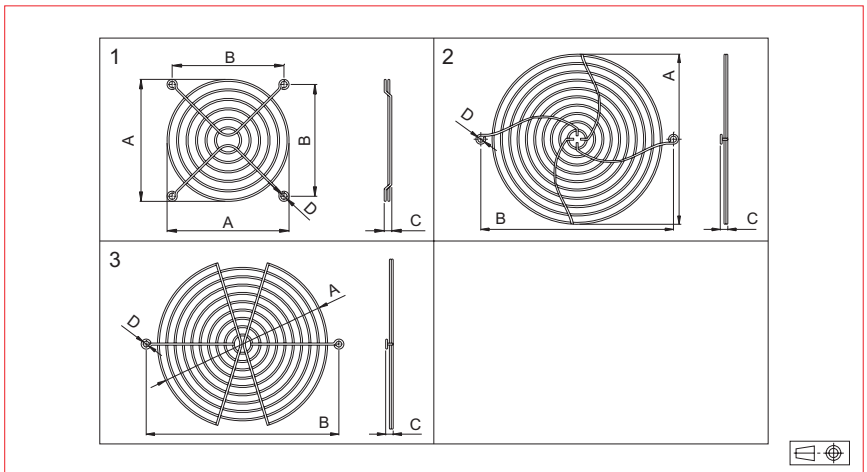


**Benefits:**

- Effective protection: the maximum space between each ellipse of the finger guard respects the values of the standards in use

**Material:**

Nickel-plated wire (UL-CSA)



Part number	Fans dimensions	Model	Dimensions (mm)				Number of ellipses
			A (±1)	B (±1)	C (±1)	D (±0,5)	
P-DGT ME 40-43	40 x 40	1	32	31,5	4,0	4,0	2
P-DGT ME 60-43	60 x 60	1	53,2	50	4,4	4,6	4
P-DGT ME 12601-43	80 x 80	1	76,5	71,5	5,5	4,6	5
P-DGT ME 9901-43	92 x 92	1	90	82,5	5,6	4,6	6
P-DGT ME 9601-43a	120 x 120	1	117,5	105,7	6,5	4,5	8
P-DGT ME 12001-43/01	Ø 172	3	154,4	162	6,45	4,8	10
P-DGT ME 12001-43	172 x 150 and Ø 172	2	143	162	6,35	5,1	10