

Screws: Models 1 and 2

Rubber mounts: Model 3

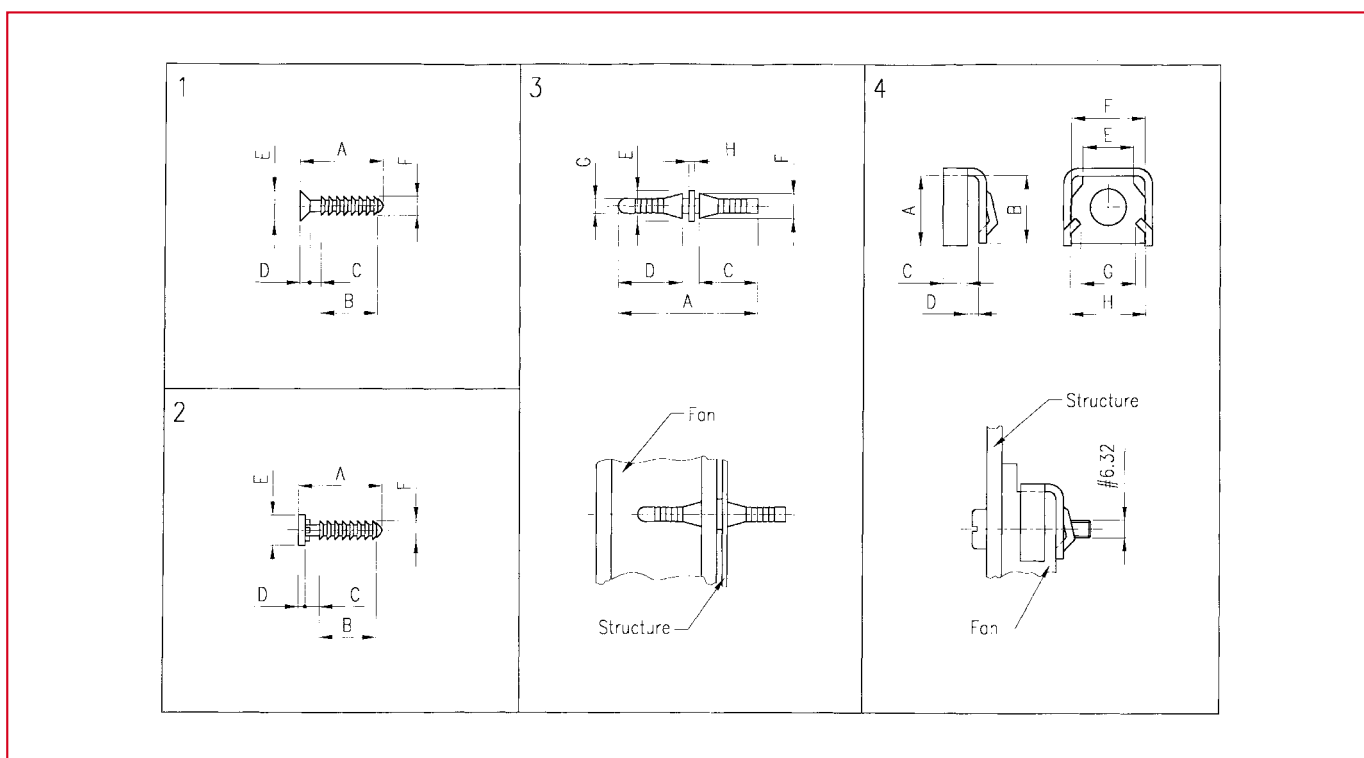
- Reduces electromechanical vibrations transmitted to the mounting
- Reduces the fitting time compared to a standard mounting with screw-bolt-washer
- Eliminates problems due to an accidental unfastening

Our rubber mounts show other advantages:

- Excellent temperature resistance,
- High elasticity allowing an adaptation to the various mounting

Speed Nuts 6-32: Model 4

- Easy to mount
- Reduces the fitting time



Part number	Model	Dimensions (mm)								Fans series
		A	B	C	D	E	F	G	H	
ATF 5-17	1	17	10	3,2	2,2	Ø 8,0	Ø 5,0			
ATF 5-22	1	22	15	3,0	2,6	Ø 8,0	Ø 5,0			
ATC 5-17	2	17	10	3,6	1,8	Ø 8,0	Ø 5,0			
ATC 5-22	2	22	15	3,8	1,8	Ø 8,0	Ø 5,0			
AM-10	3	37		15,5	17	Ø 8,0	Ø 6,5	Ø 3,8	1,5	Ø 3,5 to Ø 4,5 mm holes
SPEED NUTS 6-32	4	9,1	8,8	3,2	1,5	6,7	9,7	7,2	10	Housing with boss features: Ø 4,3 to Ø 4,7 holes