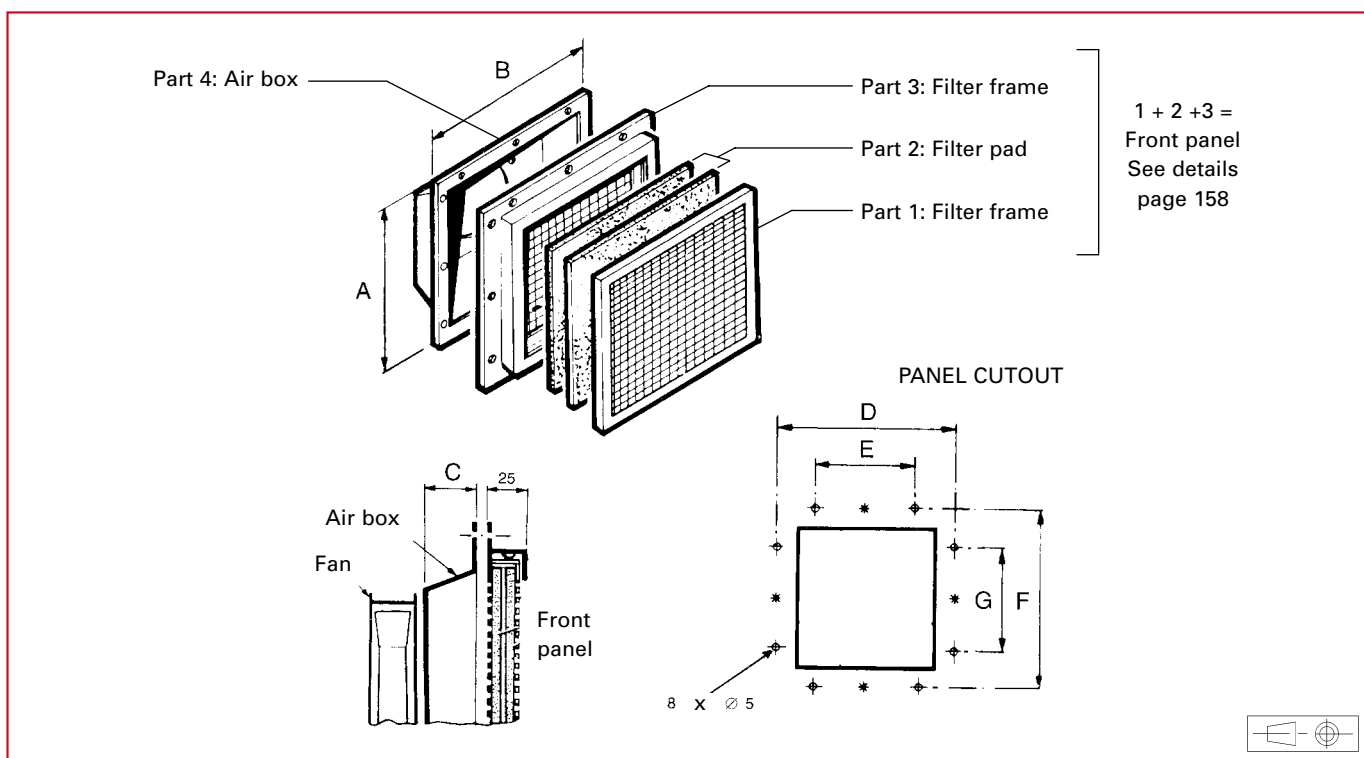


- Effective protection against dust
 - Improves reliability and reduces the risks of failure due to the presence of solid particles in the equipment
 - White filter pad ref. CAP 1515TG, 75 % in average gravimetric efficiency, pressure drop (1,5 m/s - clean filter) 2,2 mmH₂O
 - A complete filter assembly consists of an air-box, which can accommodate a fan and may be fastened to a wall, a removable front panel which accommodates the filter pads
- The complete filter is sold with the gasket and fixing screws



Part number	Dimensions (mm)							To be used on high performance fans
	A	B	C	D	E	F	G	
Parts 1 + 2 + 3 + 4								Series
80-106	440	440	100	420	280	420	280	85-86
86-020	540	440	100	520	380	420	280	85-86
61-025	540	540	100	520	380	520	380	61-62
60-050	750	750	150	730	590	730	590	60-97
75-020	540	440	100					75
112-020	540	440	100					112